

Owner's Manual: 1015 Speed Demon

One-Gallon Vortex Mixer

Models 0-1015-PB (110V, 60Hz, Digital Display)
0-1015-PBDL (110V, 60Hz, Digital Display with Door lock)

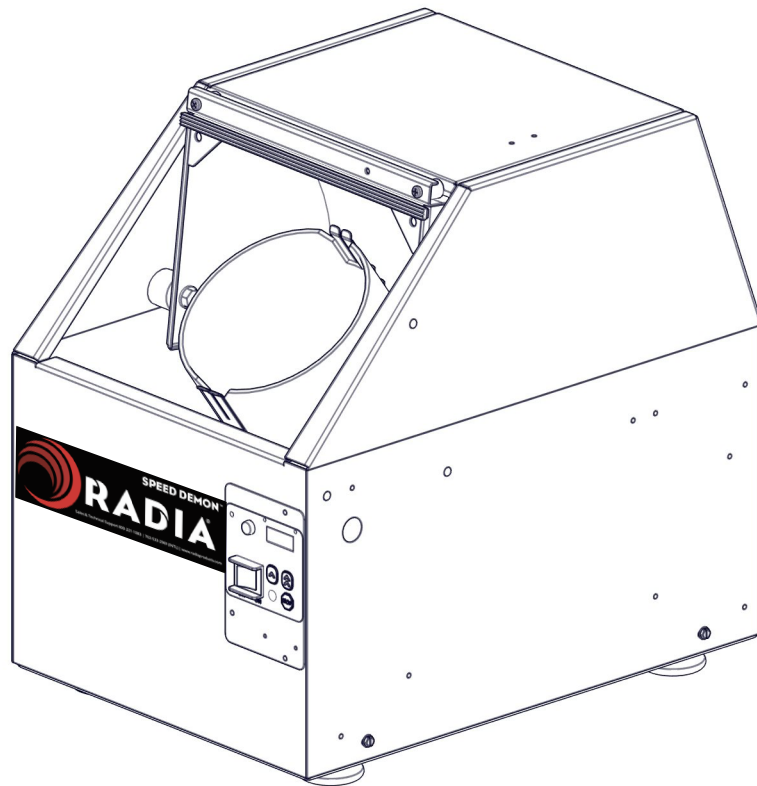





Table of Contents

1. Safety Information	3	7. Wiring Diagram	13
1.1 Safety Precaution Labels	4	7.1 1015 PB: 3 & 4 Button	13
1.2 Safety Precaution Summary	5	7.2 1015 PBDL	14
2. Introduction	6	8. Exploded Views	15
2.1 Application	6	8.1 PB & PBDL Electrical Assembly	15
2.2 Specifications	6	8.1.3 Button PB Electrical Assembly	16
3. Unpacking & Install	7	8.2 PBDL Door Lock Assembly	17
4. Operation	8	8.3 Enclosure Components	18
4.1 Control Panel - 1015 PB	8	8.4 Frame Assembly	19
4.1 Control Panel -1015PB 4 Button	9	8.5 Drive Assembly	20
4.2 Changing cycle times	10	8.6 Rotating Assembly	21
4.3 Install a Container	11	9. Ordering	22
5. Cleaning	11	Replacement Parts	22
6. Trouble Shooting		10. Warranty	23
		11. Notes	24-26
		12. Contacts	27

1. Safety Information

Review this owner's manual and read all warning labels on the machine prior to use.

The three main safety notifications used in this manual and on the warning labels are **WARNING**, **CAUTION** and **NOTICE**. They have specific meanings and indicate the potential dangers from misuse of the machine.


	<p>“WARNING!” indicates a hazardous situation, which, if not avoided, could result in death or serious injury. These serious injuries could include permanent loss of function or significant disfigurement, disability, considerable pain and suffering, amputations, severe burns, and loss or impairment of vision or hearing. Take all necessary precautions to avoid unnecessary injury.</p>
	<p>“CAUTION!” indicates a hazardous situation, which, if not avoided, could result in minor or moderate injury.</p>
	<p>“NOTICE” indicates practices that do not involve physical injury but may damage the machine.</p>

Safety Information, Continued..

1.1 Safety Precaution Labels

 <p>WARNING ADVERTENCIA AVERTISSEMENT</p>	<p>MOVING PARTS INSIDE PARTES EN MOVIMIENTO PIÈCES EN MOVEMENT</p>
<p>-Do not open door until machine comes to complete stop; moving parts inside could cause serious injury.</p>	
<p>-No abra la puerta hasta que la maquina se detenga completamente, las partes internas en movimiento pueden causar heridas graves.</p>	
<p>- Ne pas ouvrir la porte avant que la machine ne s'arrête complètement. Pièces en mouvement à l'intérieur pourraient provoquer des blessures graves.</p>	

Part No. 1784963

 <p>WARNING ADVERTENCIA AVERTISSEMENT</p>	<p>-This machine is not explosion proof rated. -Review product label, Material safety Data Sheet, and HMIS rating of materials and exposures prior to mixing to determine potential hazards. -Use in dry and well-ventilated environment where dust and flammable vapors are not present; risk of physical injury exists if used in hazardous environment. -All containers must be properly sealed and void of leaks.</p> <p>-Esta máquina no tiene la clasificación de prueba de explosión. -Revise la etiqueta del producto, la hoja informativa de datos de seguridad, su clasificación HMIS antes de mezclar y exposiciones de materiales peligrosos para determinar los peligros potenciales. -Use en un ambiente seco y bien ventilado donde polvo y vapores inflamables no estén presentes; Riesgo de daño físico existe si es utilizado en un ambiente peligrosos. -Todos los contenedores deben estar bien sellados y sin fugas.</p> <p>-Cette machine n'est pas classé antidéflagrant. -Examen e'tiquette du produit, Fiche de données de sécurité, Et matériel HMIS cote et expositions, avant de faire le mélange pour déterminer les risques potentiels. -Utilisation a'sec et bien aere' environnement ou/la poussière et les vapeurs inflammables ne sont pas présents; risque de blessure physique existe si utilise' en environnement dangereux. -Tous les conteneurs doivent être correctement scellés pour éviter les fuites.</p>
----------------------------------------------------------------------------------------------------------------------------------------------------------	------------------------------------------------------------------------------------------------------------------------------------------------------------------------------------------------------------------------------------------------------------------------------------------------------------------------------------------------------------------------------------------------------------------------------------------------------------------------------------------------------------------------------------------------------------------------------------------------------------------------------------------------------------------------------------------------------------------------------------------------------------------------------------------------------------------------------------------------------------------------------------------------------------------------------------------------------------------------------------------------------------------------------------------------------------------------------------------------------------------------------------------------------------------------------------------------------------------------------------------------------------------------------------------------------------------------------------------------------------------------------------------------------------------------------------------------------------------------------------------

Part No. 1780899

 <p>WARNING ADVERTENCIA AVERTISSEMENT</p>	<p>- Machine must be properly grounded before use; improper grounding could cause electric shock and injury. -Disconnect power cord before servicing, cleaning or removing any cover, and follow lockout/tagout procedures in owner manual; failure to disconnect power could cause electric shock and injury. -Review Owners Manual before installing or operating.</p> <p>- La maquinaria debe ser apoyada correctamente en el suelo antes de usar, el no apoyarla puede casuar choque eléctrico y daños. -Desconecte la energía antes de dar mantenimiento, limpiar o quitar cualquier cubierta, y siga los procedimientos de bloqueo/etiquetado del manual, Fallar en desconectar puede causar choque eléctrico y daños. - Revise el manual del usuario antes de instalar u operar.</p> <p>- La machine doit e'tre correctement mis a' la terre avant de les utiliser mise a' la terre incorrecte peut provoquer un choc e'lectrique et de blessure. - De'branchez le cordon d'alimentation avant de proce'der a'l'entretien, le nettoyage ou le retrait des capots: suivez la proce'dure d'isolation/consignation proce'dures dans le manul de l'opre'rateur; E'chec de de'brancher la source d'alimentation peut provoquer shock and e'lectrique blesyres. -Re'examiner le fonctionnement manuel avant l'installation.</p>
-----------------------------------------------------------------------------------------------------------------------------------------------------------	----------------------------------------------------------------------------------------------------------------------------------------------------------------------------------------------------------------------------------------------------------------------------------------------------------------------------------------------------------------------------------------------------------------------------------------------------------------------------------------------------------------------------------------------------------------------------------------------------------------------------------------------------------------------------------------------------------------------------------------------------------------------------------------------------------------------------------------------------------------------------------------------------------------------------------------------------------------------------------------------------------------------------------------------------------------------------------------------------------------------------------------------------------------------------------------------------------------------------------------------------------------------------------------------------------------------------------------------------------


Part No. 1781570

Safety Information, Continued..


Safety Information, Continued..

1.2 Safety Precaution Summary


DO NOT WARNING!


 **DO NOT** attempt to replace any damaged electrical wire or components. Improper replacement could result in electric shock and serious injury. Only a qualified service representative should attempt to repair or replace any damaged electrical components.


 Review this owner's manual before installing or operating.

 The machine must be properly grounded prior to use. In the case of an electrical short circuit, grounding reduces the risk of electric shock by providing an escape wire for the electric current.

The machine's power cord has a grounding wire with an appropriate grounding plug. This plug must be inserted into an electrical outlet that is properly installed and grounded according to all local codes and ordinances.


 If you must repair or replace the power cord or plug, **DO NOT** connect the grounding wire to either flat-blade terminal. The wire with insulation having an outer surface that is green (with or without yellow stripes) is the grounding wire.


 Check with a qualified electrician if you don't completely understand these grounding instructions, or if you are not sure whether the machine is properly grounded. **DO NOT** modify the plug provided; if it won't fit in the outlet, have a proper outlet installed by a qualified electrician.


 Disconnect the power cord before servicing, cleaning, or removing any covers

 Follow the lockout/tagout procedures of your company.


 **DO NOT** open the door until the machine comes to a complete stop.


 To avoid electric shock, don't get the timer, control panel, or wiring wet.

 This machine is not explosion proof rated. All containers must be properly sealed and void of leaks.

 Review product label, Material Safety Data Sheet, and HMIS rating of materials prior to mixing to determine potential hazards.


 **DO NOT** use solvent-based cleaners or thinners.


 Use in a dry and well-ventilated environment where dust and flammable vapors are not present.


 **WARNING:** This product may expose you to chemicals including DEHP, which is known to the State of California to cause cancer. For more information, go to www.P65Warnings.ca.gov


CAUTION!


 Keep the work area free of clutter and electrical cords.

 Avoid extension cords. To minimize the risk of improper electrical grounding, extension cords are not recommended. If an extension cord is unavoidable, consult a qualified electrician to determine what type of extension cord will satisfy the grounding, current capacity, and other requirements of the particular situation.

 Use the proper power source. Refer to the machine data plate on the right side panel or the section 2.1, Specifications, in this manual.

 Keep customers away from the work area. This machine should be used only by properly trained individuals.

 Clamp the can carefully to ensure that it is held securely during the mixing cycle.

 Do not operate the machine without a can installed.

Product safety labels should be inspected and cleaned periodically to maintain good legibility. Replace any labels that are no longer legible.

2. Introduction

2.1 Application

Congratulations on your purchase of the Speed Demon 1 Vortex Mixer. This machine is designed to accommodate single round pint, quart, or gallon plastic or metal containers weighing up to 15 lb. (6.8 kg). It can also accommodate square quart cans when used in conjunction with the optional adapter, part no. 9784203. See section 9, Ordering, for ordering instructions.

Understand your machine's features and proper operation to take full advantage of its capabilities.

Read this entire manual completely before operating the machine. Practice installing and removing a pail before mixing for the first time.

Keep this manual for future reference.

Always follow all safety instructions!

2.2 Specifications

Unit Size, 1015PB & PBDL: W 15 in. (38.1 cm) D 21.5 in. (54.6 cm) H 20.5 in. (52.1 cm)

Machine Weight

PB & PBDL: 76 lb. (34.5 kg)

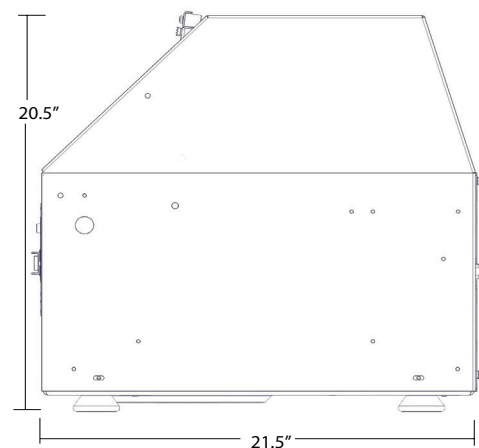
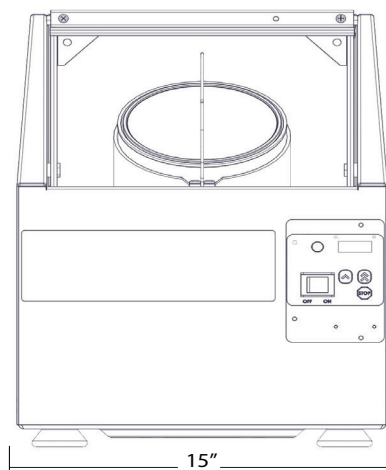
Maximum Capacity: 15 lb. (6.8 kg)

Sizes Mixed: One pt., one qt, one gal.

Electric Service: 110 V 60 Hz

110 V Units

Machines rated at 110 V, 60 Hz are for use with a nominal 120 V circuit.



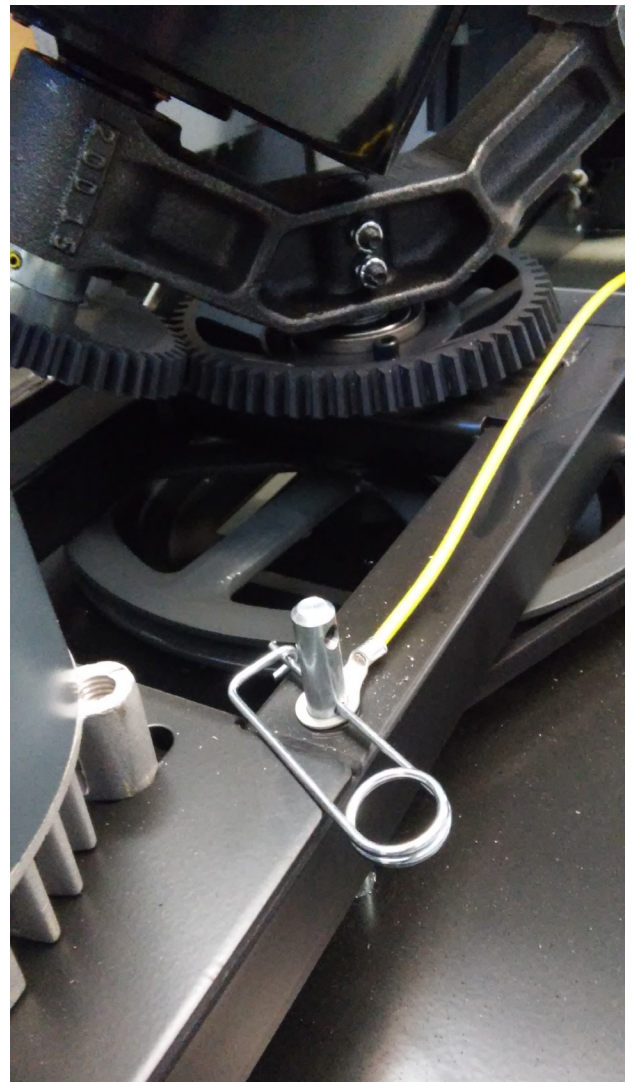
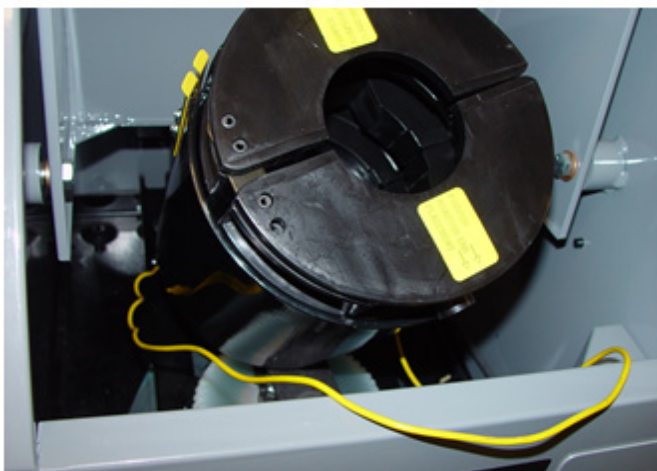
3. Unpacking & Installation

This machine was shipped fully assembled.

Before plugging in the machine or attempting to operate it:

1. Remove all packing material.
2. Remove the locking pins from the top of the shipping rods.
3. Push the shipping rods down far enough to remove the retaining pins and washers underneath the pallet.
4. Remove the shipping rods by sliding them up through machine frame. Set aside the rods, washers, yellow lanyard, and retaining pins in case they are needed for shipment of the mixer in the future.
5. Set the machine on a stable, level surface and plug it in an appropriately grounded outlet (see section 1.2, Safety Precaution Summary, for grounding information).

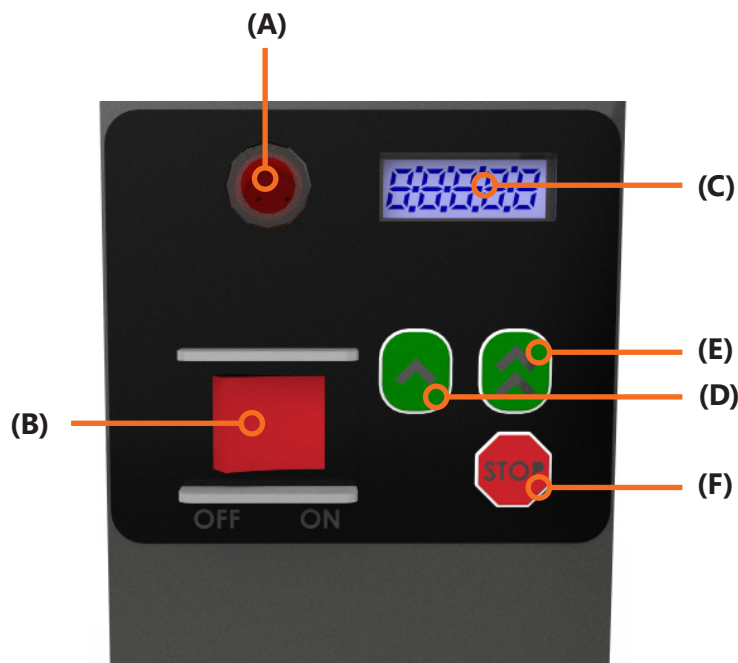
NOTE: If the machine needs to be shipped any time, contact RADIA to obtain the appropriate packaging kit, part no. 6784975. See section 9, Ordering, for ordering information.



4. Operation - 1015PB/PBDL

4.1 Control Panel

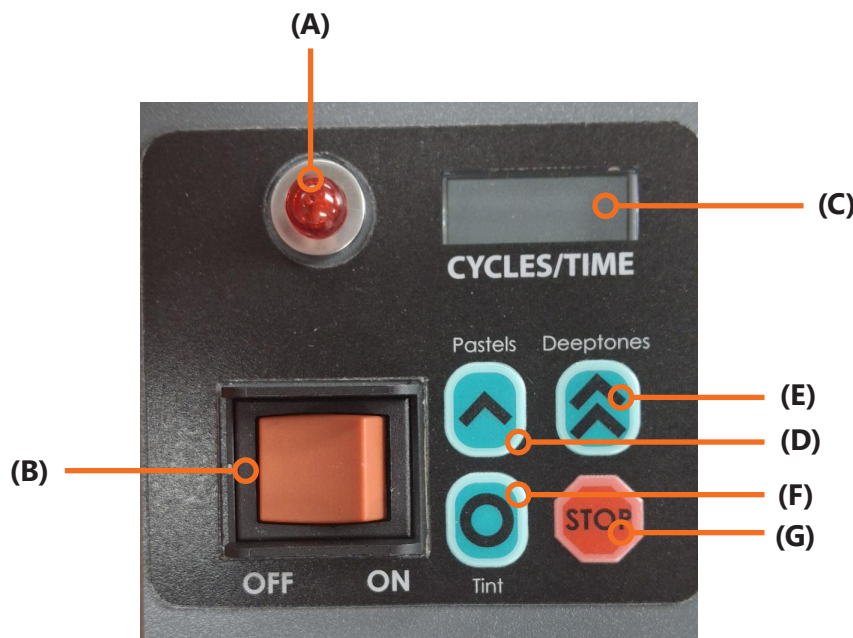
- **Operational Indicator (A):** This light is illuminated during machine operation.
- **Power Switch (B):** Turn the power off and on. (Note: Not used on the PBDL model)
- **Digital Display (C):** View programming revision on start up, cycle count while on and idle, and cycle time remaining when running.
- **Ninety-Second Cycle (D):** Push to set a 1:30 minute cycle. Press again to increase the cycles in 1:30 minute increments. (Note: On the PBDL model, the door locks until 9 seconds after the cycle completes.)
- **Three-Minute Cycle (E):** Push to set a 3:00 minute cycle. Press again to increase the cycles in 3:00 minute increments. (Note: On the PBDL model, the door locks until 9 seconds after the cycle completes.)
- **Stop (F):** Press to stop a cycle before the preset time expires.



4. Operation - 1015PB W/ 4 Buttons

4.1 Control Panel

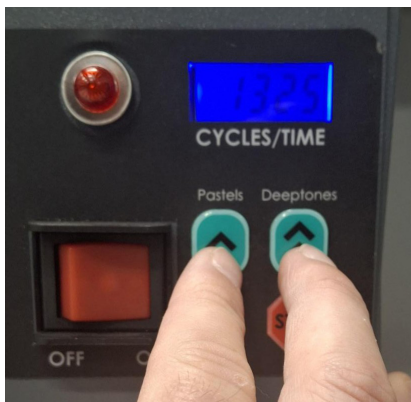
- **Operational Indicator (A):** This light is illuminated during machine operation.
- **Power Switch (B):** Turn the power off and on.
- **Digital Display (C):** View programming revision on start up, cycle count while on and idle, and cycle time remaining when running.
- **Ninety-Second Cycle (D):** Push to set a 1:30 minute cycle. Press again to increase the cycles in 1:30 minute increments.
- **Three-Minute Cycle (E):** Push to set a 3:00 minute cycle. Press again to increase the cycles in 3:00 minute increments.
- **30 Second Cycle (F):** Push to set a 30 Second cycle. Press again to increase the cycles in 30 second increments.
- **Stop (G):** Press to stop a cycle before the preset time expires.





4.2 Changing cycle times on 3 and 4 button 1015PB and 1015PBSQ

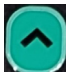
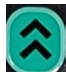

Changing the cycle times on your 1015PB or 1015PBSQ model paint shaker.


1. With the door open. Press Power Switch to On position.

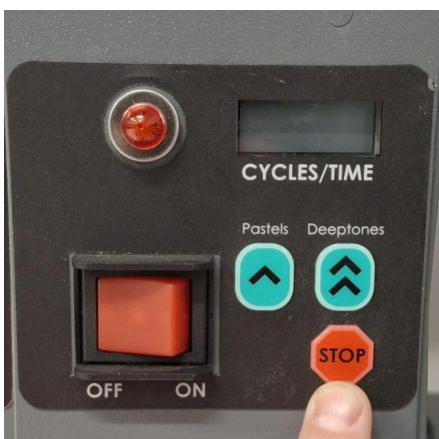


2. After the cycle count has displayed on the screen, press and hold both the  and  the buttons until the number on the display begins to flash.



3. Press the timer button you wish to change, either the , , or  button.

To increase time, continue to press the same button. To decrease time, press the  button.



4. Once the desired time is reached, wait for the number on the display to stop flashing. Once it has stopped flashing, the time is saved.

NOTE: If you wish to change more than one button time, you will have to start the process over for that button.

4.3 Install a Container

1. Open the cabinet Door
2. Load the can into the machine for mixing:
 - **Gallon Cans:** Insert the can into the can holder. Slip the bail handle into the clip retainers (D).
 - **Quart Cans:** Place the can inside the quart adapter, **6783756** (A). Set the quart can horizontally with the lid up. (See Figure 1)
 - **Pint Cans:** Place round pint cans vertical, with the lid up. Close the **6783756** adapter around the can. (See Figure 2)
 - **Half Pint Cans:** Place the half pint can inside the 6786133 (E) foam adapter (Optional for this machine). Close the **6783756** adapter around the 6786133 foam adapter. (See figure 3)
3. For **Quarts, Pints & Half pints:** Insert the adapter into the can holder. Make sure the **6783756** adapter lugs (C) are lined up with the bail retainers and the adapter is all the way to the bottom of the can holder (B). (See Figure 4)
4. Close the cabinet door. The mixer has a safety switch that interrupts operation if the door is open.
5. Select the desired mix time.

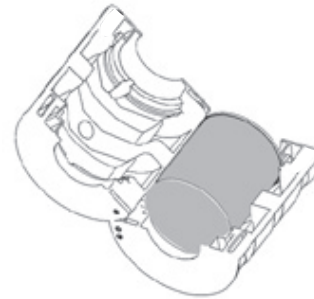


Figure 1

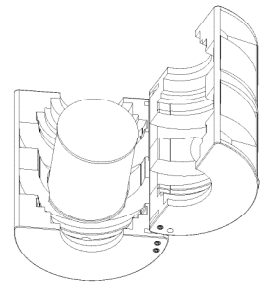


Figure 2

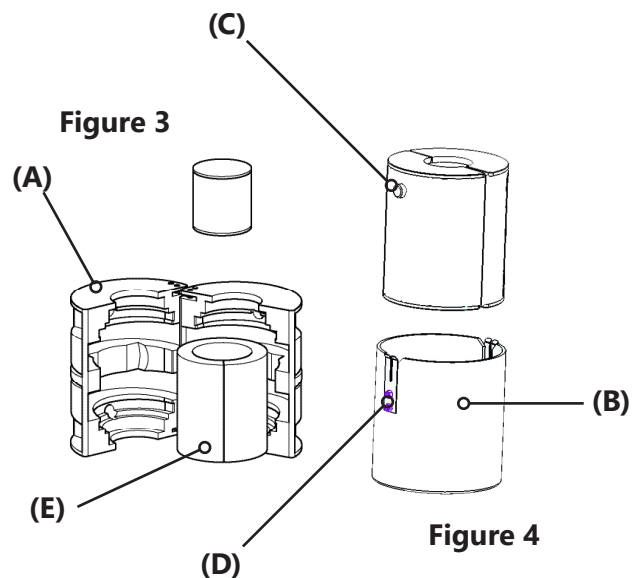


Figure 3

Figure 4

⚠ If the container handle wasn't properly secured, press the STOP button on the control panel.

NOTE: If colorant has been added to the paint, be sure to reattach paint can lid tightly (using the RADIA® Lid Press, Part No. 0-5080).

5. Cleaning

⚠ Always unplug the power cord before cleaning! **DO NOT** get the timer, control panel, or wiring wet.

CLEANING:

Keeping the machine clean is important for reliable operation.

- Colorant or base paint spilled on machine surfaces can be removed using lukewarm water and mild detergent for water-based/glycol colorants.
- To preserve the appearance of the machine, do not use abrasives to clean machine surfaces.

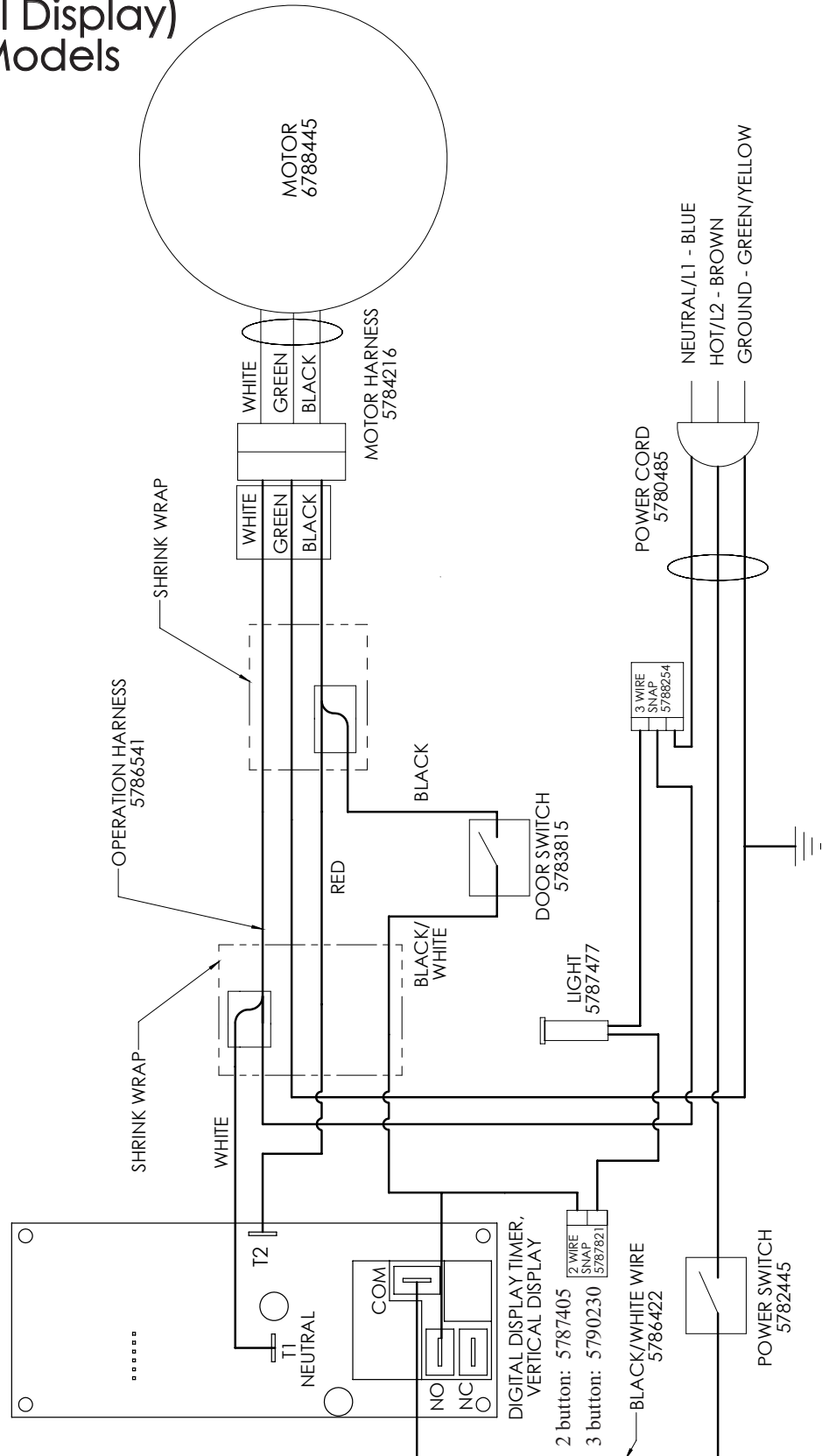
6. Troubleshooting

 Disconnect the machine from its power source before servicing.

PROBLEM	CAUSE	REMEDY
Machine won't operate	Not connected to power source	Connect to power source
	Building circuit breaker or fuse blown	Reset breaker or replace fuse
	Machine door does not make contact with limit switch	Adjust lever arm on the switch to make contact with door bracket tab when door is closed
	Motor Thermal Protector Activated	Allow to cool, then restart the machine
	Faulty motor	Contact Radia Customer Care
	Faulty controller	Contact Radia Customer Care
	Faulty door limit switch	Contact Radia Customer Care
	Worm, Damaged, or Loose drive belt	Contact Radia Customer Care
Excessive Vibration	Pail damaged	Fix or replace pail
	Pail not properly seated	Reset pail into holder
	Feet are not level	Adjust and level feet
Machine doesn't shut off at end of mixing cycle	Faulty controller	Contact Radia Customer Care
Machine doesn't shut off when door is opened	Faulty door limit switch	Contact Radia Customer Care
Increasing mechanical noise	Bearings worn or damaged	Contact Radia Customer Care

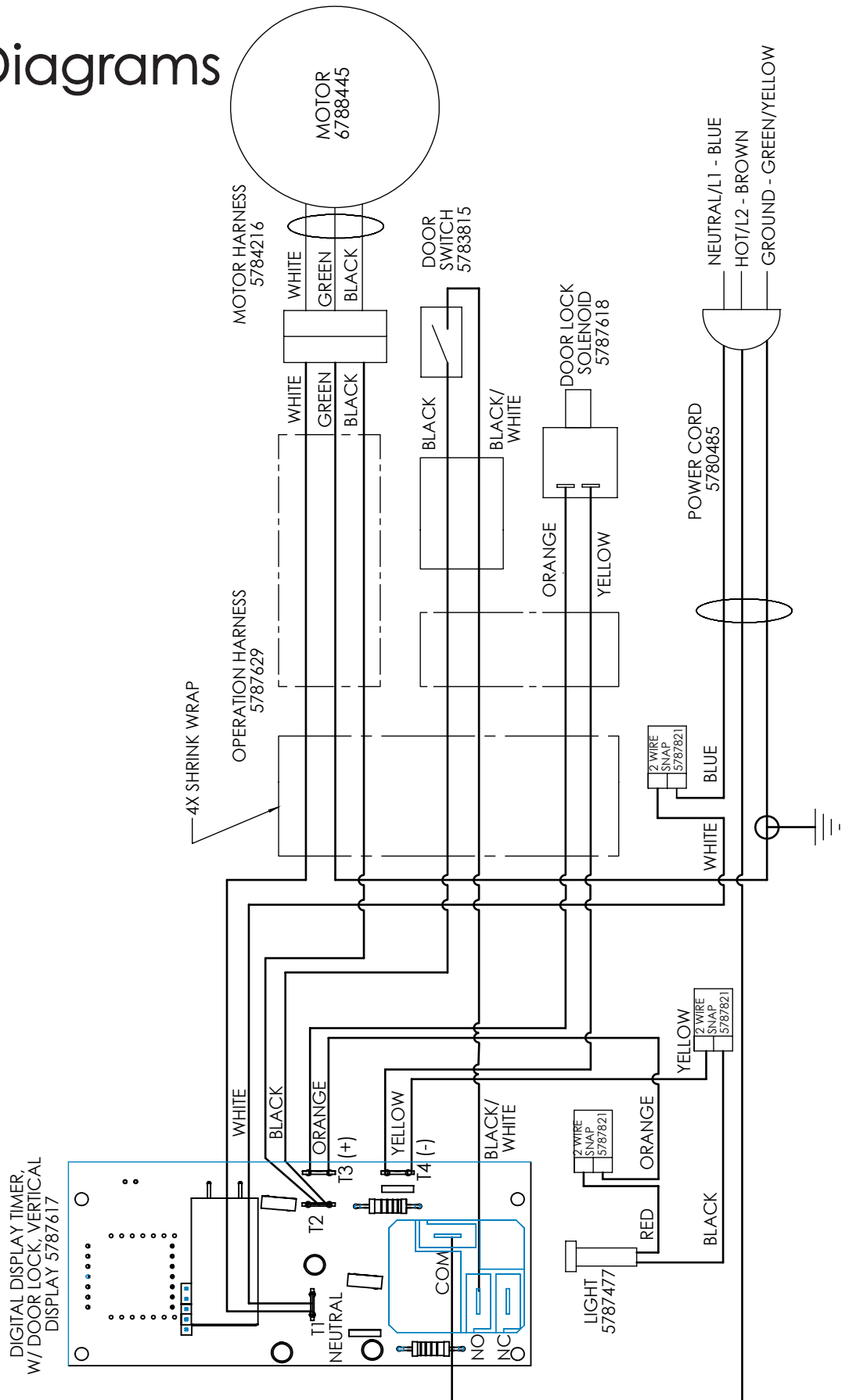
7. Wiring Diagrams

7.1 1015 PB (Digital Display) 3 & 4 Button Models



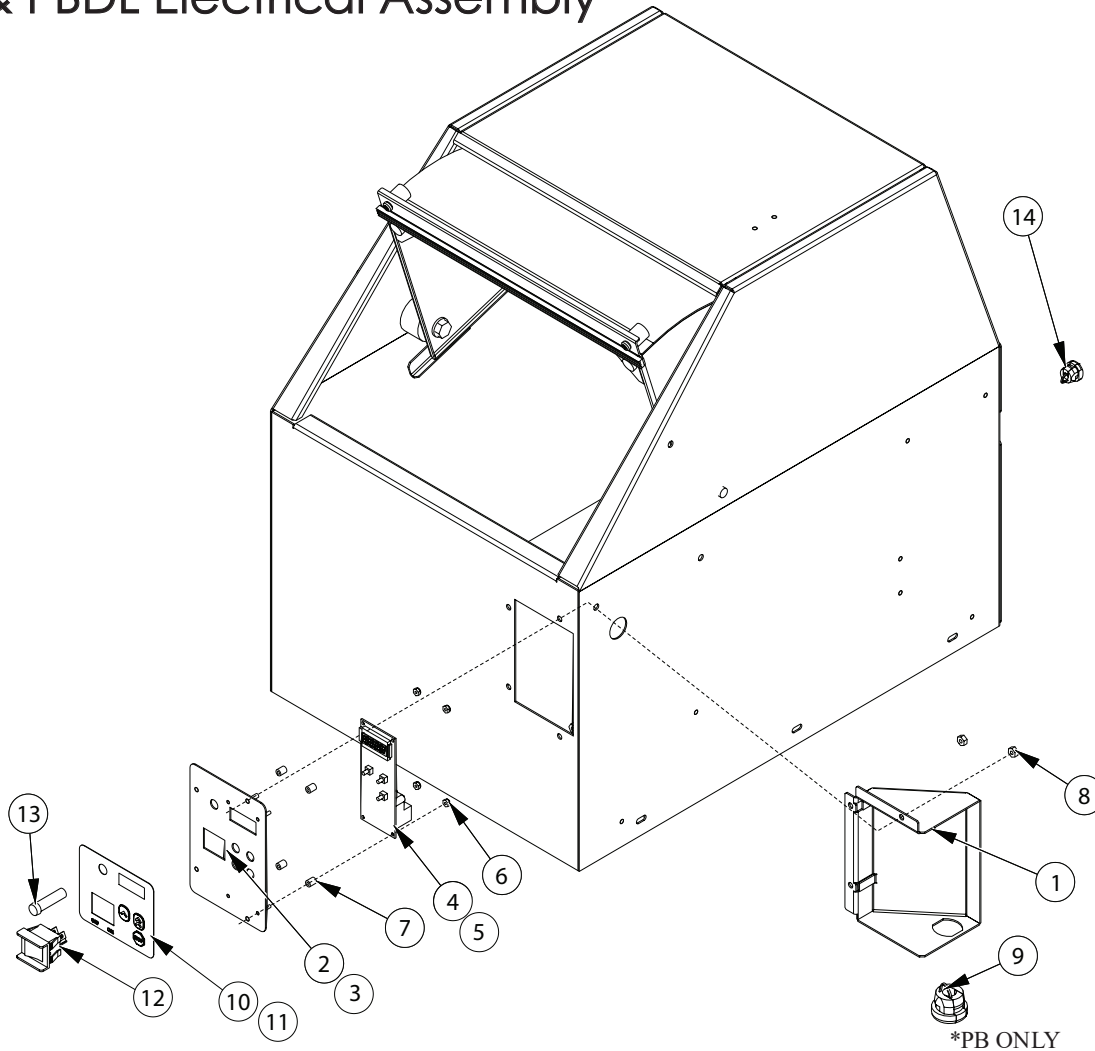
7. Wiring Diagrams

7.2 1015 PBDL



8. Exploded Views

8.1 PB & PBDL Electrical Assembly



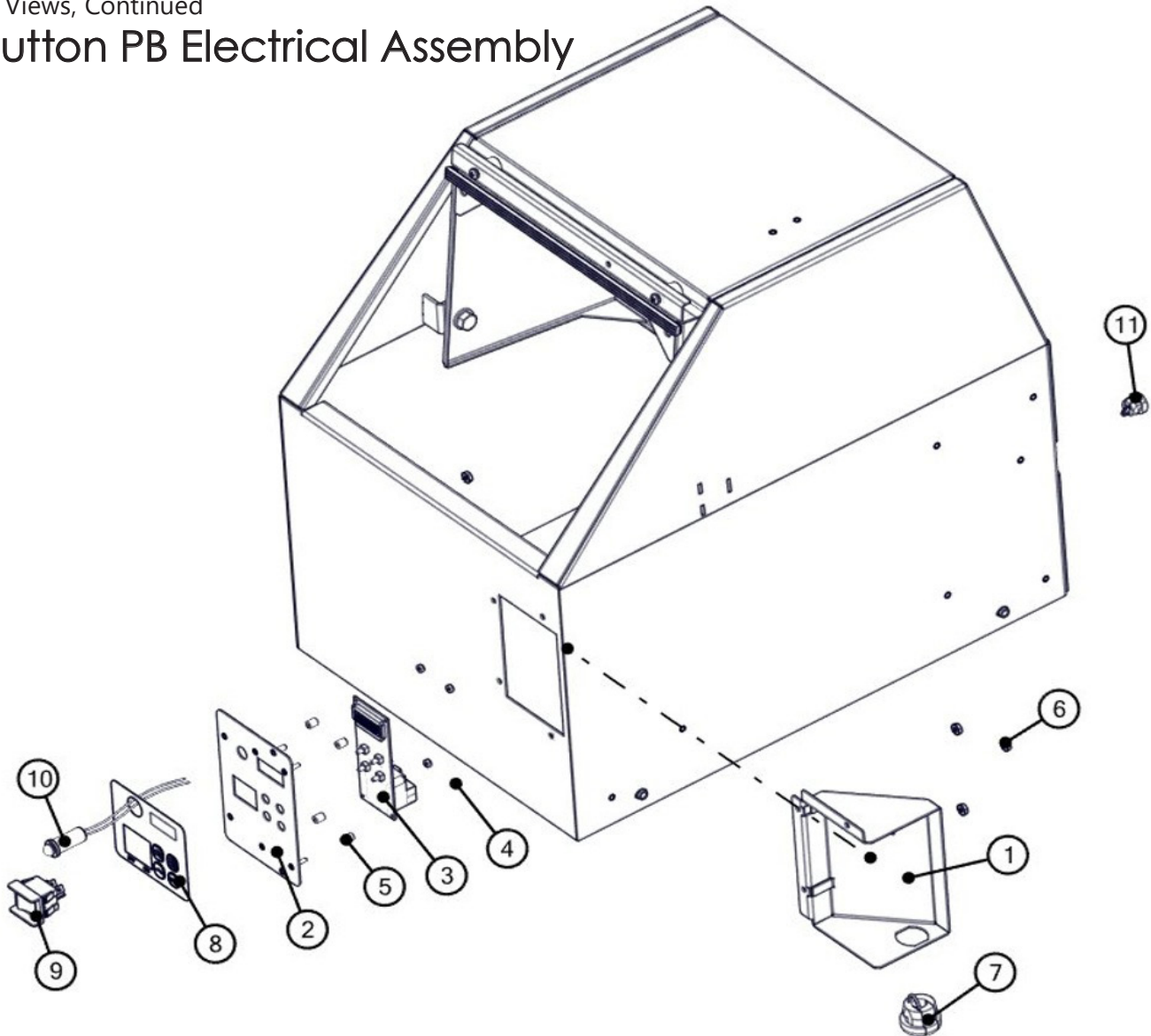
BOM ID	PART #	DESCRIPTION	BOM ID	PART #	DESCRIPTION
1	9786423	BOX, ELEC, 1015 DD	8	9781840	NUT, KEPS #8-32
2*	9787479	PANEL, CONTROL, DIGITAL DISPLAY 1015PB	9	9782603	STRAIN RELIEF 5300PB
3	9787635	PANEL, CONTROL, DIGITAL DISPLAY 1015 PBDL	10	1787763	LABEL, DIGITAL DISPLAY 1015PB
4*	5787405	TIMER, DIGITAL, VERTICAL 120V, 90 & 180 SEC	11	1787619	LABEL, DIGITAL DISPLAY 1015PBDL
5	5787617	TIMER, DIGITAL, VERTICAL, 120V 1015 PBDL	12*	5782445	POWER SWITCH
6	9783595	NUT, LOCK, NYLON 4-40	13	5787477	LED INDICATOR, PANEL MOUNT
7	9786232	SPACER	14	9102519	BUSHING, STRAIN RELIEF
			KIT*	6787567	KIT, DIGITAL DISPLAY, 1015 SQ (INCLUDES ITEMS 2, 4, 6, 7, 10, 12, AND 13 PREASSEMBLED)

PART NUMBERS LISTED MAY ONLY BE AVAILABLE IN KIT FORM OR AS AN ASSEMBLY

Exploded Views, Continued..

...Exploded Views, Continued

8.1 4 Button PB Electrical Assembly



BOM ID	PART #	DESCRIPTION
1	9786423	BOX, ELEC, 1015 DD
2	9787479	PANEL, CONTROL, DIGITAL DISPLAY 1015PB
3	5790230	TIMER, DIGITAL DISPLAY, VERT, 120V, 180, 90, & 30 SEC
4	9783595	NUT, LOCK, NYLON 4-40
5	9786232	SPACER
6	9781840	NUT, KEPS #8-32

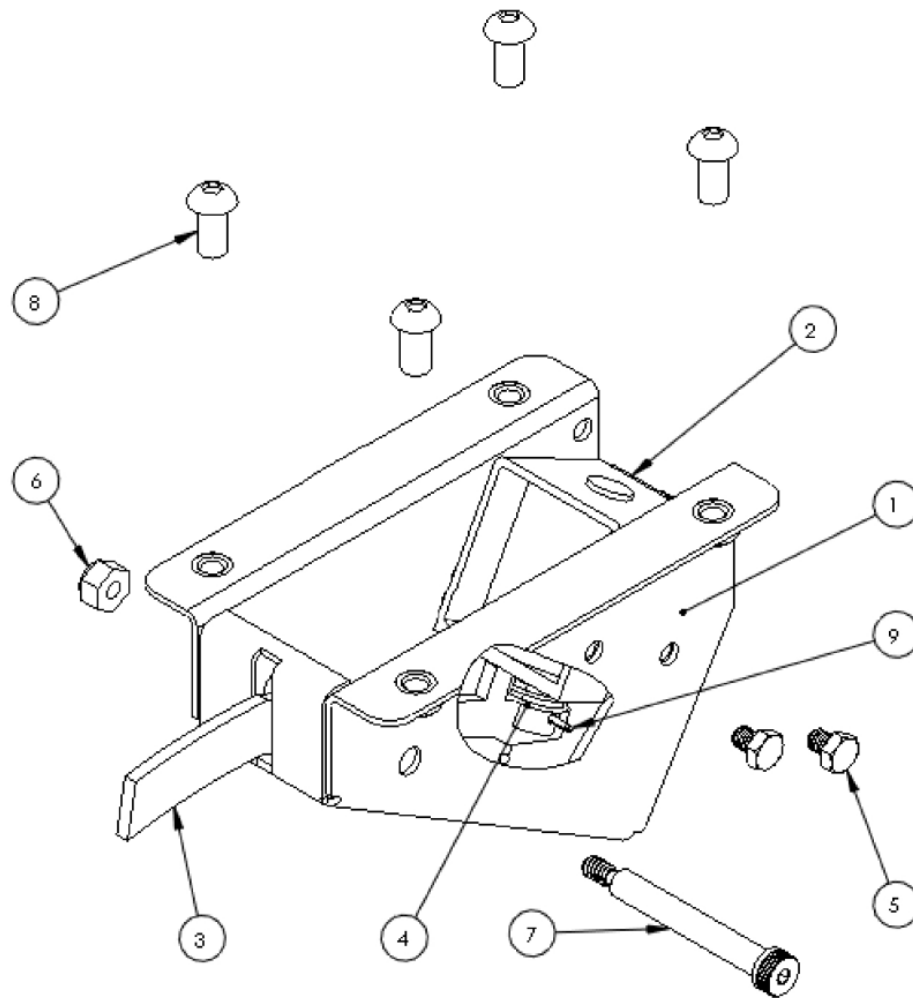
BOM ID	PART #	DESCRIPTION
7	9782603	STRAIN RELIEF
8	1790241	LABEL, DIGITAL DISPLAY 1015PB
9	5782445	POWER SWITCH
10	5787477	LED INDICATOR, PANEL MOUNT
11	9102519	BUSHING, STRAIN RELIEF

PART NUMBERS LISTED MAY ONLY BE AVAILABLE IN KIT FORM OR AS AN ASSEMBLY

Exploded Views, Continued..

...Exploded Views, Continued

8.2 PBDL Door Lock Assembly



BOM ID	PART #	DESCRIPTION
1	9787630	SOLENOID BRACKET 1015
2	5787618	SOLENOID, 120VDC, DOOR LOCK
3	9787631	1015 DOOR LOCK LEVER
4	9787624	SPRING, 0.526 ID X 0.50 LONG
5	9787634	SCREW, HEX #10-32 X 0.25

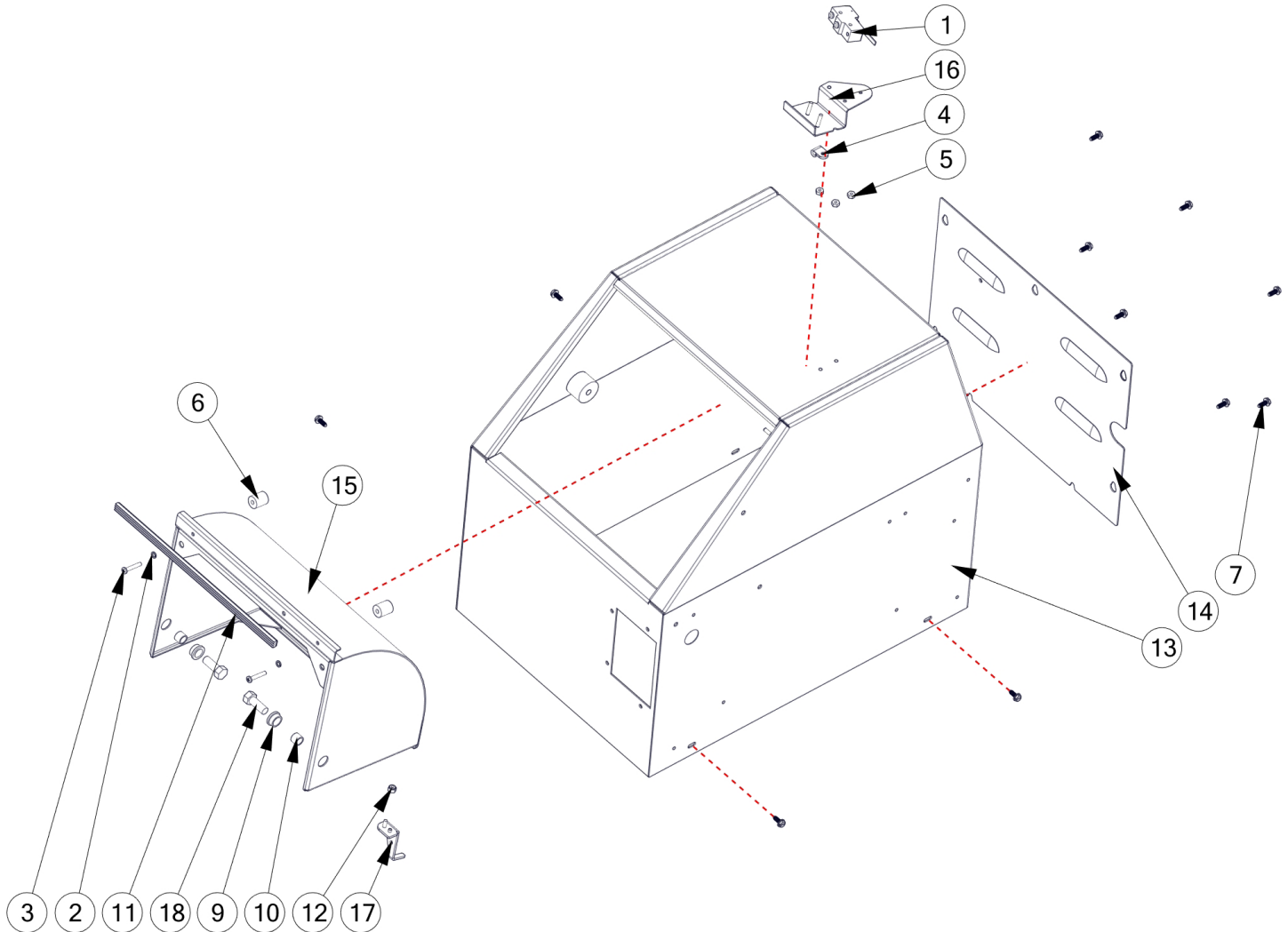
BOM ID	PART #	DESCRIPTION
6	9782004	NUT #10-32 X 0.25
7	9787633	SHOULDER BOLT, 0.25 DIAMETER X 1.75
8	9783365	BUTTON SCREW 1/4-20 X 0.50
9	9787632	COTTER PIN, 1/16 X 0.75 LONG

PART NUMBERS LISTED MAY ONLY BE AVAILABLE IN KIT FORM OR AS AN ASSEMBLY

Exploded Views, Continued..

...Exploded Views, Continued

8.3 Enclosure Components



BOM ID	PART #	DESCRIPTION
1	5783815	SWITCH, LIMIT 1HP
2	9780633	WASHER, #10 LOCK
3	9781142	SCREW, PAN HEAD, 10-32 X 0.50
4	9781548	CLAMP, CABLE 1/4 HEYCO 3324
5	9781840	NUT, KEPS #8-32
6	9782681	BUMPER, DOOR 5300
7	9783385	SCREW, #10-32 SHWH TAP
9	9784425	BEARING, BRONZE, FLANGED
10	9784426	SLEEVE, STEEL

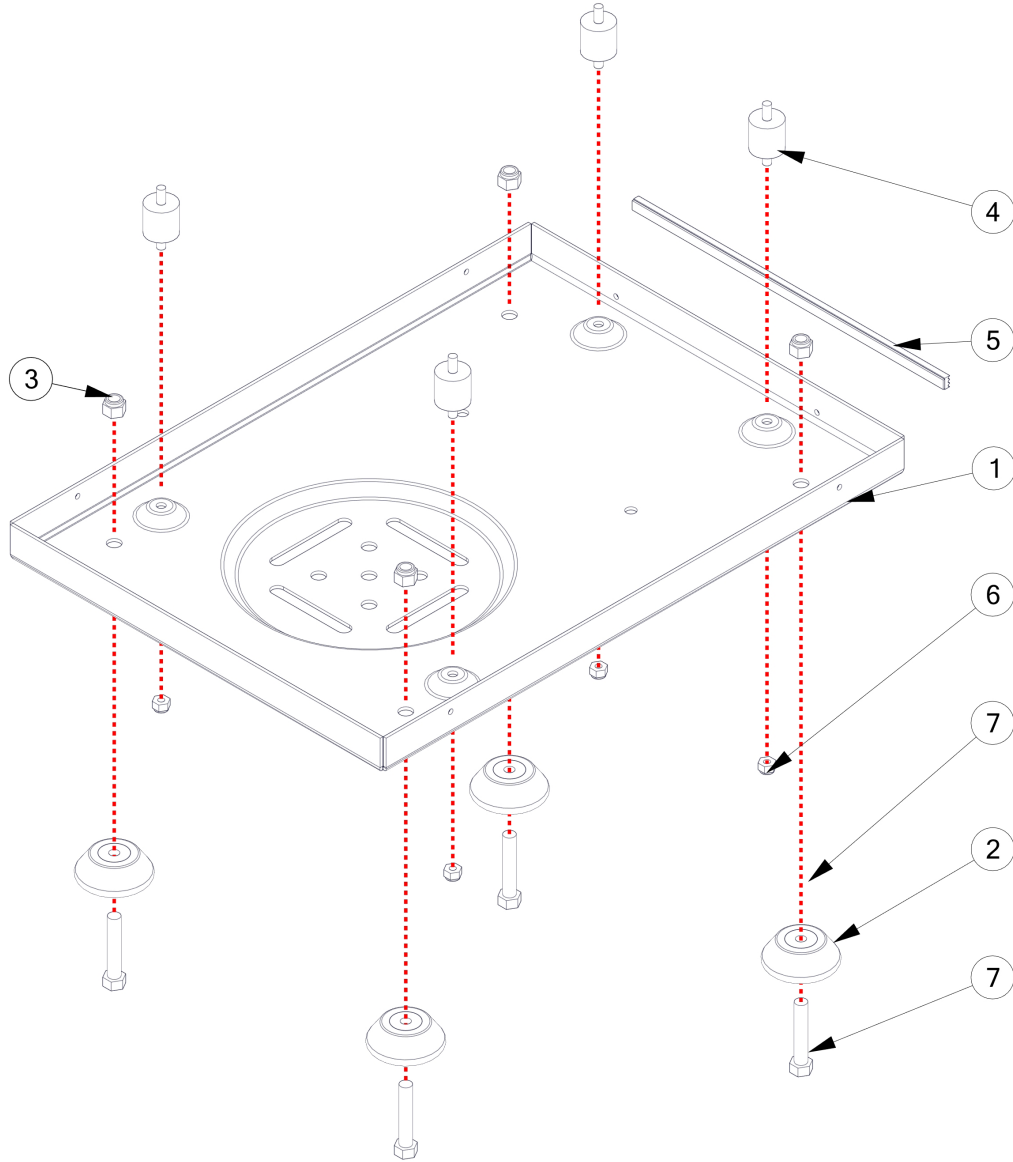
BOM ID	PART #	DESCRIPTION
11	9784589	SEAL, DOOR 1015
12	9785126	NUT #8-32 NYLON LOCK
13	9787239	ENCLOSURE WELDMENT 1015
14	9787240	BACK PANEL 1015
15	9787253	DOOR WELDMENT 1015
16	9787770	BRACKET, DOOR CLOSED SWITCH 1015
17	9787772	ACTUATOR, DOOR CLOSED 1015PB
18	9788040	SCREW HEX HD 3/8-16 X 1.00 GR8 ZP PATCH

PART NUMBERS LISTED MAY ONLY BE AVAILABLE IN KIT FORM OR AS AN ASSEMBLY

Exploded Views, Continued..

...Exploded Views, Continued

8.4 Frame Assembly



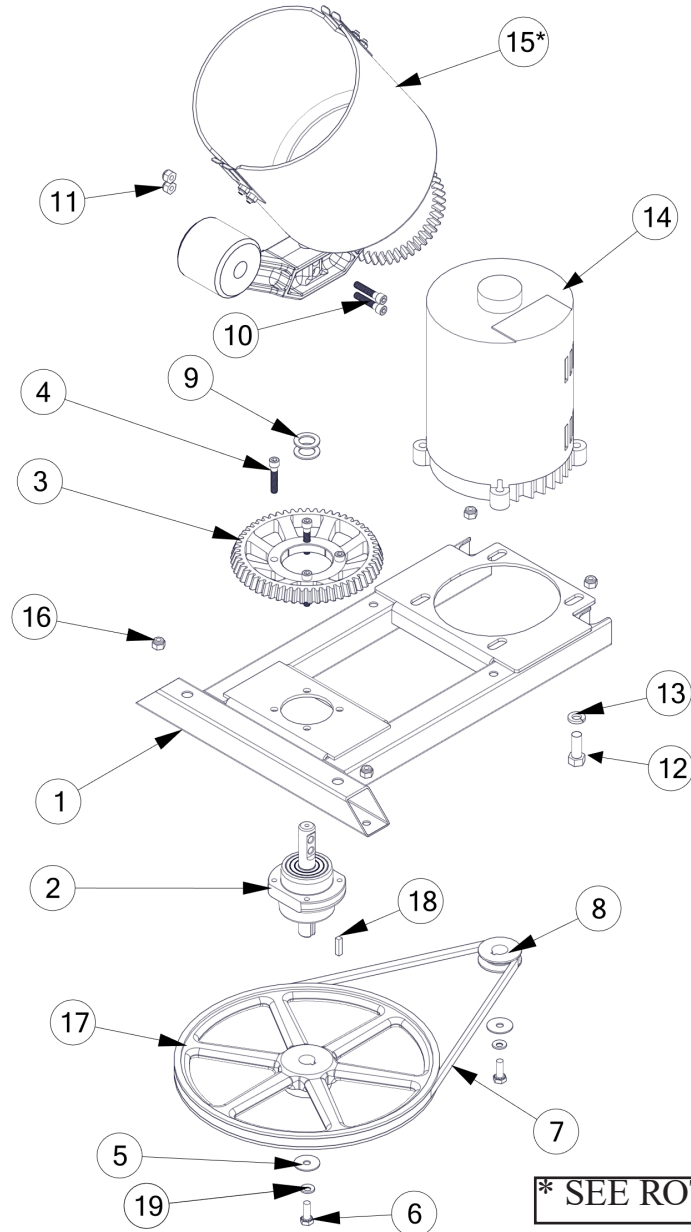
BOM ID	PART #	DESCRIPTION
1	9784566	BASE 1015
2	9782044	FOOT, FLOOR STAND
3	9780193	NUT, NYLOCK 3/8-16
4	9781929	ISOLATOR, RUBBER 5300

BOM ID	PART #	DESCRIPTION
5	9784589	SEAL, DOOR 1015
6	9780343	NUT, 1/4-20 NYLON LOCK
7	9788040	SCREW HED HD 3/8-16 X 1 GR8 ZP PATCH

PART NUMBERS LISTED MAY ONLY BE AVAILABLE IN KIT FORM OR AS AN ASSEMBLY
Exploded Views, Continued..

...Exploded Views, Continued

8.5 Drive Assembly



BOM ID	PART #	DESCRIPTION
1	9784523	FRAME, MIX 1015
2	6784807	BEARING HOUSING KIT 1015
3	9784639	GEAR, BIG BEVEL, FIXED 1015PB
4	9788089	SCREW, SOCKET HD 1/4-20X1.25 PATCH
5	9781414	FENDER WASHER 1/4
6	9788088	SCREW HEX HD 1/4-20X0.75 GR8 ZP PATCH
7	9784527	BELT, V-STYLE, KEVLAR - 1015
8	9784652	PULLEY, SMALL 1015PB
9	9781904	WASHER, SPACER
10	9788089	SCREW SOCKET HEAD 1/4-20X1.25 PATCH

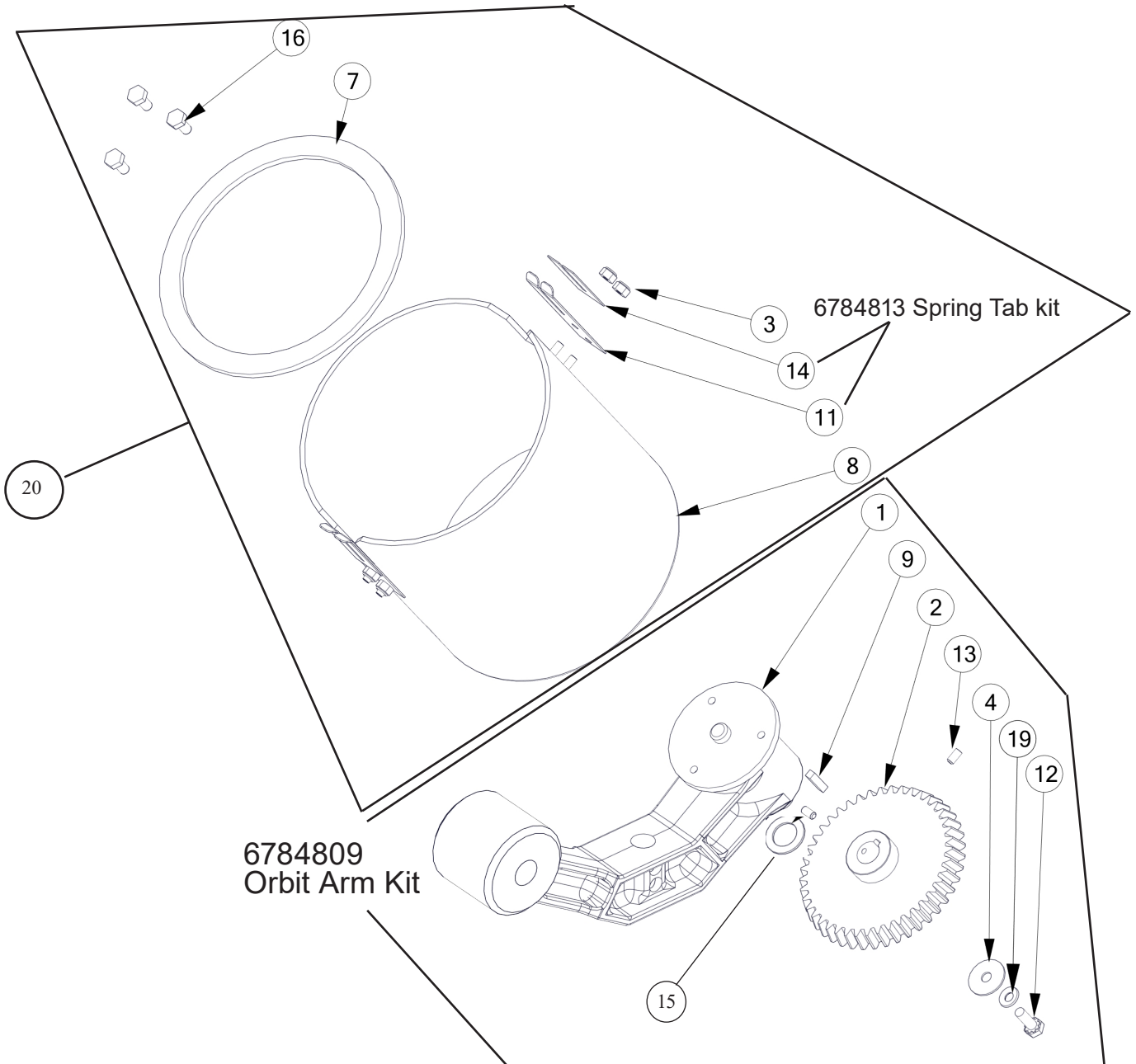
BOM ID	PART #	DESCRIPTION
11	9783426	NUT, KEPS #10-32
12	9788040	SCREW HEX HD 3/8-16X1.00 GR 8 ZP PATCH
13	9780402	WASHER 3/8 SPLIT LOCK
14	6788445	1/4HP 56C MOTOR WITH HARNESS
15*	SEE PG 18	ROTATING ARM ASSEMBLY 1015PB
16	9780343	NUT 1/4-20 NYLON LOCK
17	9781918	PULLEY 1015
18	9784334	KEY, SQUARE 0.187 X 0.750
19	9789762	WASHER, LOCK, 1/4" BELLEVILLE, SERRATED

Exploded Views, Continued..

PART NUMBERS LISTED MAY ONLY BE AVAILABLE IN KIT FORM OR AS AN ASSEMBLY

...Exploded Views, Continued

8.6 Rotating Arm Assembly



6784809
Orbit Arm Kit

BOM ID	PART #	DESCRIPTION
1	9784514	ROTATING ARM & COUNTERWEIGHT, CAST
2	9784640	GEAR, SMALL BEVEL, ORBIT 1015PB/ROUND
3	9783426	NUT, KEPS #10-32
4	9781414	FENDER WASHER 1/4
7	9782432	RUBBER RING
8	9783717	CAN HOLDER, ALUMINUM 5300
9	9784334	KEY, SQUARE 0.187 X 0.750

BOM ID	PART #	DESCRIPTION
11	9784541	TAB, SPRING 1015
12	9788088	SCREW, HEX HD 1/4-20X0.75 GR8 ZP PATCH
13	9784559	SET SCREW, CUP PT #10-24 X 0.375
14	9784560	PAD, SPRING TAB DAMPER 1015
15	9781904	WASHER, SPACER 0.636 ID X 1.00 X 0.060
16	9784698	SCREW, HEX 1/4-20X0.50
19	9789762	WASHER, LOCK, 1/4" BELLEVILLE, SERRATED
20	6784811	KIT, CAN HOLDER 1015 RD

PART NUMBERS LISTED MAY ONLY BE AVAILABLE IN KIT FORM OR AS AN ASSEMBLY
Exploded Views, Continued..

9. Ordering

Replacement Parts

HOW TO ORDER REPLACEMENT PARTS

Replacement parts can be ordered from Radia by telephone, fax, or email:

RADIA

800-221-1083
763-533-2969
763-852-1811 (FAX)
orders@radiaproducts.com

If you need help in determining the proper part(s) to order, please call Customer Care at 1-800-221-1083. Always indicate the Model and Serial numbers of the machine when ordering replacement parts.

GENERAL PARTS REPLACEMENT POLICIES

While your machine is under warranty, do not attempt on-site repair or parts replacement without first contacting RADIA. (to protect your warranty). After the warranty expires, replacement parts and recommendations for on-site servicing are available from RADIA. Please contact Customer Care for assistance.

RESTOCKING FEE

A restocking fee will be charged on all unused parts which are returned.



For instructional "How To" videos please visit:
www.radiaproducts.com



01015PB

Use the QR label located on the side of the machine to access this manual on your mobile device.

10. Warranty

Equipment Covered Under This Warranty

Models 1015 PB and 1015 PDBL

Warranty

Radia warrants equipment manufactured by it and bearing its name to be free from defects in material and workmanship.

EXCEPT FOR THE WARRANTY SET FORTH HEREIN, RADIA MAKES NO WARRANTY WHATSOEVER WITH RESPECT TO THE EQUIPMENT, INCLUDING ANY (a) WARRANTY OF MERCHANTABILITY; (b) WARRANTY OF FITNESS FOR A PARTICULAR PURPOSE; OR (c) WARRANTY AGAINST INFRINGEMENT OF INTELLECTUAL PROPERTY RIGHTS OF A THIRD PARTY; WHETHER EXPRESS OR IMPLIED BY LAW, COURSE OF DEALING, COURSE OF PERFORMANCE, USAGE OF TRADE OR OTHERWISE.

This warranty applies only when the equipment is installed, operated and maintained in accordance with written Radia instructions as appearing in the owners' manuals.

This warranty does not cover, and Radia shall not be liable for, any malfunction, damage, or wear caused by faulty installation, misapplication, abrasion, corrosion, inadequate or improper maintenance, negligence, accident, tampering or substitution of non-Radia component parts, modification or use for non-intended purposes. Nor shall Radia be liable for malfunction, damage or wear caused by the incompatibility of Radia equipment with structures, accessories, equipment, or materials not supplied by Radia.

Subject to the limitations set forth above, Radia shall (i) repair or replace the equipment (or the defective part) or (ii) credit or refund the price of such equipment. Costs of labor and transportation for service of machines under this warranty will also be covered during the warranty period if Radia elects to repair or replace the equipment. Normal ground freight will be covered for replacement parts sent within the warranty period. For customers outside of the US and Canada, the warranty is for parts only. Ground or common carrier ground freight will be covered for the return of defective items only. In no case shall Radia's liability exceed the amount of the purchase price.

*All warranty repairs must be executed by a Radia Authorized Service Center or warranty will be voided.

THE REMEDIES SET FORTH HEREIN ARE PURCHASER'S SOLE AND EXCLUSIVE REMEDY and RADIA'S ENTIRE LIABILITY FOR ANY BREACH OF THE LIMITED WARRANTY SET FORTH HEREIN.

Please contact your Radia Relationship Manager at 800-221-1083 for specific questions regarding specific questions regarding warranty terms.

For sales or service, please contact

RADIA

Attn: Customer Service Department

14900 21st Ave N

Plymouth, MN 55447

USA

Fax: 763.533.0015

E-mail: info@radiaproducts.com

Customer Service: customerservice@radiaproducts.com

Parts Orders: orders@radiaproducts.com

Technical Support: tech@radiaproducts.com

www.radiaproducts.com



For instructional "How To" videos please visit:
www.radiaproducts.com

